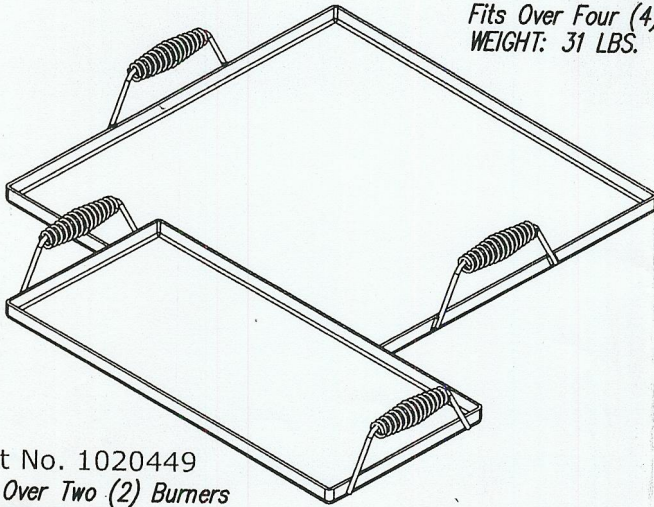


PORTABLE GRIDDLE TOPS

Part No. 1020450
Fits Over Four (4) Burners
WEIGHT: 31 LBS.



Part No. 1020449
Fits Over Two (2) Burners
WEIGHT: 16 LBS.

BEFORE USING

1. Wash the Griddle thoroughly with dish soap and hot water to remove the protective coating and any dust or debris which may have accumulated during shipping and storage.
2. Cure the griddle before using. Once the griddle is cleaned, coat the cooking surface with cooking oil and heat the griddle until the oil smokes. Turn off the burners and allow the griddle to cool. Wipe off the cooking surface with a clean cloth.

HEATING THE GRIDDLE

1. Place the Griddle evenly over the required number of burners. Always use the required number of burners to maintain even heating and to prevent the Griddle from warping.
2. Adjust and maintain the flame equally for all burners.
3. Preheat the Griddle evenly and slowly.



DO NOT USE THIS GRIDDLE WITH ELECTRICAL EQUIPMENT



FAILURE TO FOLLOW THESE INSTRUCTIONS WILL RESULT IN A WARPED GRIDDLE.

CLEANING AND MAINTENANCE

1. Allow the griddle to cool completely before immersing in water to prevent the Griddle from warping.
2. Clean the Griddle using dish soap, scouring pad, scraper or stiff brush.
3. Towel dry the Griddle and apply a light coat of cooking oil to protect the surface before storing.

MARSTON PRODUCTS®
DIVISION OF TOMLINSON INDUSTRIES
13700 Broadway Ave.
Cleveland, OH 44125-1992
Phone 216-587-3400
FAX 216-587-6192
www.tomlinsonind.com

Form 1920464 rev. 9/06
Printed in the U.S.A.