



*Simply Engineered Better*

## 201LT

Undercounter Low Temperature Dishwashing Machine



Project \_\_\_\_\_  
 Item No. \_\_\_\_\_  
 Quantity \_\_\_\_\_

### STANDARD FEATURES

- Pumped drain
- Door safety switch
- Low-water tank heat protection
- Built-in detergent, rinse-aid, and sanitizer dispensing pumps
- Wash pump, 1-Hp motor
- Fill and dump
- Thermostatically controlled wash tank heater maintains water at the required temperature
- Upper & lower interchangeable spray arms
- Top mounted controls
- Stainless steel top and side panels
- Single phase connection
- Stainless steel construction
- 15-3/4" [406mm] door opening accommodates larger wares, including trays!
- Fully automatic wash/rinse cycle processes a rack of wares in 141 seconds ... 21 racks an hour!
- One year parts and labor warranty.

### SPECIFIER STATEMENT

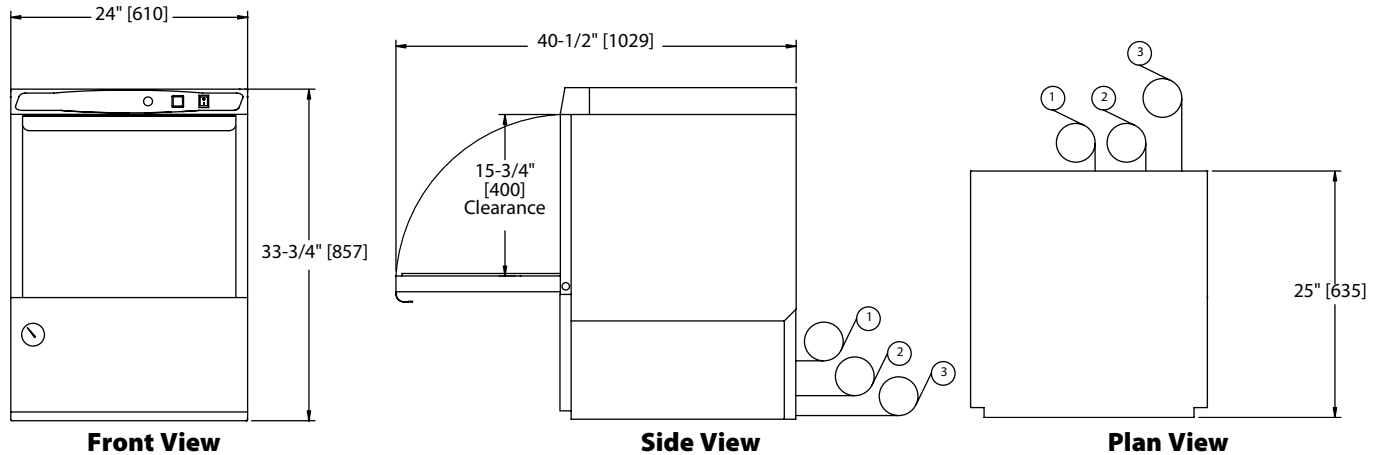
Specified unit will be Moyer Diebel Model 201LT undercounter low temperature dishwashing machine. Features include 15-3/4" door opening, standard detergent, rinse-aid and sanitizer dispensing pumps. Wash tank heater maintains required water temperature. 1 year parts and labor warranty.



### OPTIONS & ACCESSORIES

- |   |             |
|---|-------------|
| <input type="checkbox"/> CST- Combination sink/table Machine on right | P/N 403561  |
| <input type="checkbox"/> CST- Combination sink/table Machine on left  | P/N 403562  |
| <input type="checkbox"/> Flat bottom dishrack                         | P/N 101273  |
| <input type="checkbox"/> Peg dishrack                                 | P/N 101285  |
| <input type="checkbox"/> 6" Stand                                     | P/N 0712393 |
| <input type="checkbox"/> 17RS - 17" Stand                             | P/N 0708757 |

Dimensions shown in inches and [millimeters]



Utilities	
<b>1</b>	<b>Electrical</b> 115/60/1; 12 amp draw; to be fused at 15 amp. 4ft. plug-in cord supplied.
<b>2</b>	<b>Hot Water</b> 140°F Min., 1/2" supply hot water connection 6 ft. long, 1/2" I.D. flexible fill hose with 3/4" hose connector Flow pressure: 25-95 psi (173-656 kPa)
<b>3</b>	<b>Drain Connection</b> 6 ft. long, 5/8" I.D. flexible drain hose Max. drain flow: 15 US gpm

	Uncrated	Crated
<b>Height</b>	33-3/4"	39-1/2"
<b>Width</b>	24"	25"
<b>Depth</b>	25"	25-1/2"
<b>Ship Wt. lbs/kg</b>	178	198

\* Front leveling feet provided.

SPECIFICATIONS	
<b>Capacity</b>	
Racks per hr.	21
<b>Motor Horsepower</b>	
Wash	1
<b>Water Consumption</b>	
Per hr. (max. use)	38.4 US gal;
Per rack	1.8 US gal;
<b>Temperatures °F</b>	
Wash (minimum)	140
Rinse (minimum)	140
<b>Heating</b>	
Tank heat, electric (kW)	.75
<b>Time Cycle in Seconds</b>	
Wash	90
Rinse	26
Drain/fill	25
Total	141

**Warning:** Plumbing and electrical connections should be made by qualified personnel who will observe all the applicable plumbing, sanitary and safety codes.