



CRT 125 Series Storage Bin

- ✓ Stores up to 94 lbs. (43 Kgs.) of ICE
- ✓ Ultra-low profile - 34 inches (864 mm) tall
- ✓ Dependable storage and transport for either cube or flake ICE



CRT 125 Bin

ICE-O-Matic is the Best ICE Making Solution for: Hard Water, Food Safety and Tight Spaces

Problem

Solution

Ice Melts Too Fast

Inadequate bin insulation causes ice to melt too quickly

Insulation

Each polyethylene bin liner is insulated with FOAM for maximum ICE PRESERVATION - 1.5 inches of insulation

Tight-Fitting Spaces

Kitchen space utilization

Maximum ICE

Maximum ICE storage in a minimum amount of space with an ultra-low profile - 24 inches wide / 34 inches tall

Corrosion

Chlorine in the water causes corrosion of stainless-steel bin liners

Corrosion Protection

Polyethylene bin liners protect against corrosion

Inadequate Ice Transport

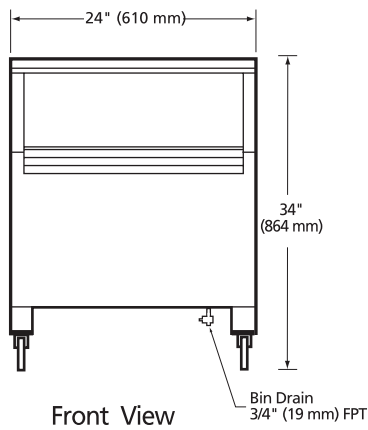
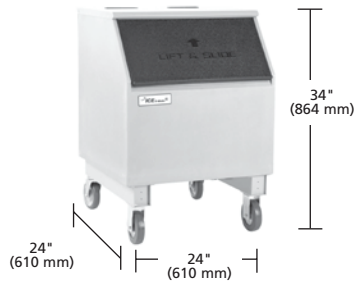
Ice is difficult to transport to multiple locations throughout the facility

Easy Transport

Industrial swivel caster wheels allow for easy ICE transportation

CRT 125 Series Storage Bin

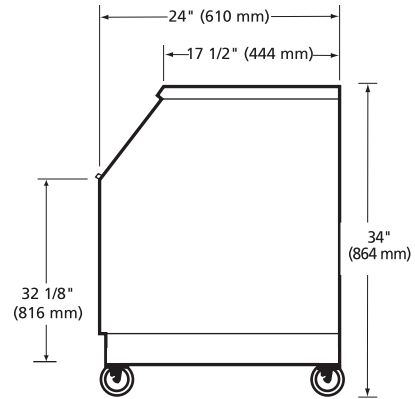
Dimensions



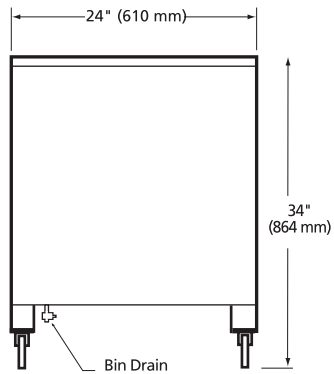
Front View

ORDERING AND SPECIFICATION INFORMATION

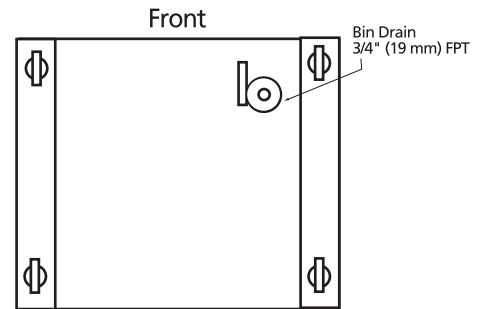
Bin Model No.	Application Bin Storage Lbs (Kgs)	Shipping Weight Lbs. (Kgs.)
CRT 125	94 (43)	46 (21)



Side View



Back View



Bottom View



We reserve the right to make changes in design and construction at any time without obligation.
2006 © ICE-O-Matic Rev Code: 3001A-04/04-55



ICE-O-Matic 11100 E. 45th Avenue, Denver, CO 80239
Tel. 303 371-3737 Fax. 303 371-6296 www.iceomatic.com