



Simply Engineered Better

DF

Rotary Type Fully Automatic Glasswashing Machine



SPECIFIER STATEMENT

Specified unit will be Moyer Diebel model DF Rotary Type, fully automatic glasswasher.

Unit will have detergent pump, sanitizer pump and rinse aid pump, standard upper and lower wash/rinse arms, wash tank heater, cold water final rinse, polypropylene conveyor, splash curtains, double-walled construction, storage space for three 1-gallon containers.



Project _____
Item No. _____
Quantity _____

MODEL DF GLASSWASHER

STANDARD FEATURES

- NEW 12" glass clearance accepts taller stemware
NEW internal upper drain screen for improved filtration and ease of cleaning
NEW Self flushing wash chamber reduces maintenance
Reduced water usage
Improved shut off mechanism
Three-pump injection system for precise chemical dispensing
Upper and lower wash and rinse arms produce sparkling clean glasses every time.
Double walled construction for quieter operation.
Cool final rinse water provides a cool glass ready for immediate use.
An off-the-floor shelf provides storage for three, 1-gallon (4 liter) containers.
Polypropylene conveyor virtually eliminates chipping of fine stemware.

OPTIONS & ACCESSORIES

- Drain tray and waste collector (DF-71) P/N 0712551
Quick disconnect package (incl. casters) P/N 0707258
Casters; set of four - 2 locking, 2 regular P/N 0701962
Hand sink and wet waste receiver (SW46) P/N 0708453
Wash down hose P/N 0701956

ECOCDN Printed in U.S.A.

Moyer Diebel Ltd. - Canada

2674 North Service Rd., Jordan Station, Ontario, Canada L0R 1S0 Tel: 905/562-4195 800/263-5798
Fax: 905/562-4618 sales@moyerdiebellimited.com



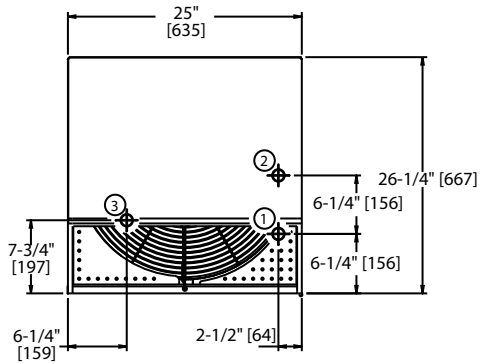


Simply Engineered Better

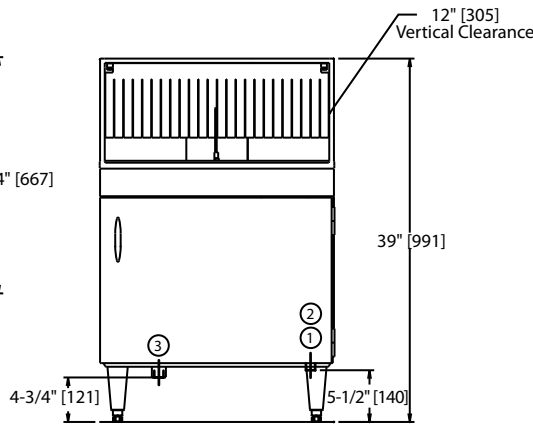
DF

Rotary Type Fully Automatic
Glasswashing Machine

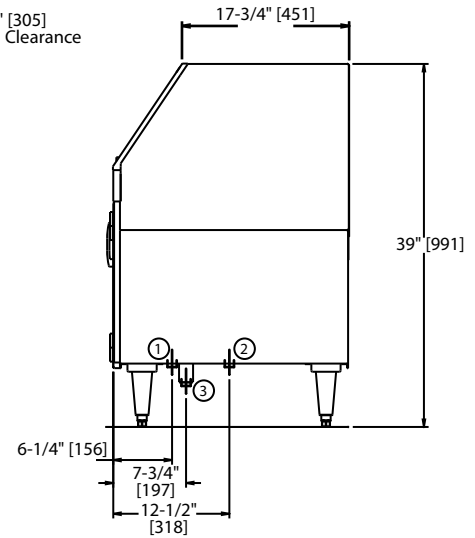
Dimensions shown in inches and [millimeters]



Plan View



Front View



Side View

Utilities	
	Electrical 208 - 230/60/1, 15 amp
1	Hot water connection 1/2" [13] IPS. Flow pressure 25-95 psi [172.5-656 kPa]
2	Cold water connection 1/2" [13] IPS. Flow pressure 25-95 psi [172.5-656 kPa]
3	Drain connection 1-1/2" [38] tailpiece. Connect to drain size according to local plumbing code.

NOTE: DF Models supplied with 6 ft. [1829] plug in cord. (NEMA 6-15P)

Warning: Plumbing and electrical connections should be made by qualified personnel who will observe all the applicable plumbing, sanitary and safety codes.

	Uncrated	Crated
Height	39" [991]	46-1/2" [1181]
Width	25" [635]	27" [685]
Depth	27" [686]	27-1/2" [698]
Ship Wt. lbs/kg	156/71	176/80
* Adjustable foot height - 11/4" [45]		

SPECIFICATIONS

Capacity (hr.) 2-1/2" [64] glasses	1200
Water Consumption Cold water (approx.)	2.5 US gpm; 9.5 l/m;
Hot water (initial fill)	2.1 imp. gpm
(Max use – approx. 10 US gph – 8.3 imp gph)	3 US gallons; 11.35 liters; 2.4 imp gallons
Temperatures °F/C Inlet water (hot)	140-160/61-69
Inlet water (cold)	75/24
Heating Tank heat, electric (kW)	3