

# KML-451M\_H

## LOW-PROFILE MODULAR CRESCENT CUBER

Item # \_\_\_\_\_

Project: \_\_\_\_\_

Qty: \_\_\_\_\_

\*AutoCad available on KCL

KML-451M\_H

3/09

Item # 13211

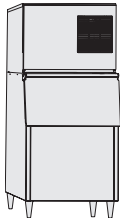
### CUBER DIMENSIONS

W x D x H

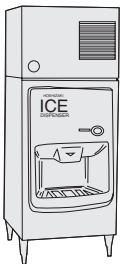
**KML-451M\_H**  
30 x 27<sup>3/8</sup> x 22



B-250



B-500



DB-200

Also available on  
Bins:  
B-700PF/SF  
B-800PF/SF  
B-900PF/SF

Large Bins:  
B-1150SS  
B-1300SS  
B-1500SS  
B-1650SS






### KML-451MAH

Air-Cooled  
Shown on an optional  
B-500

### KML-451MWH

Water-Cooled

- Up to 404 lbs. of ice production per 24 hours
- Durable stainless steel exterior
- Individual crescent cube
- Protected by *HoshiGuard* Antimicrobial Agent 
- CycleSaver® Design 
- EverCheck® alert system 
- Stainless steel evaporator
- Removable air filters
- R-404A Refrigerant
- Complies with California Energy Commission guidelines (CEC)



### Warranty

Valid in United States, Canada, Puerto Rico, & U.S. Territories. Contact factory for warranty in other countries.

**Three Year** - Parts & Labor on entire machine.

**Five Year** - Parts & Labor on: Evaporator.

**Five Year** - Parts on: Compressor, air-cooled condenser coil.



# KML-45IM\_H LOW-PROFILE MODULAR CRESCENT CUBER

**DIMENSIONS**  
W x D x H  
**KML-45IM\_H**  
30 x 27<sup>3/8</sup> x 22

- Air-cooled
- Water-cooled

## AIR-COOLED

Water Temp ° F.	50°	70°	90°
Air Temp ° F.			
70°	403	387	355
80°	391	366	328
90°	387	<b>349</b>	313

## WATER-COOLED

Water Temp ° F.	50°	70°	90°
Air Temp ° F.			
70°	404	402	384
80°	402	399	373
90°	402	<b>397</b>	374

## UTILITY CONSUMPTION

Model Number	Ice Production Per Cycle		KWH per 100 LBS. 90/70	Potable Water Gal. per 100 lbs.	Condenser Water Gal. per 100 lbs.
	Lbs.	Cubes			
KML-451MAH	7.0	360	6.7	18.3	NA
KML-451MWH	6.8	360	5.3	19.7	138

## SPECIFICATIONS

Model Number	Condenser	Amperage	Min. Circuit Ampacity	Shipping Weight
KML-451MAH	Air-Cooled	10.3	20A	185 lbs.
KML-451MWH	Water-Cooled	8.9	20A	185 lbs.

## STORAGE BINS

Model Number	Application Capacity	ARI-Rated Capacity
B-250	250 lbs.	230 lbs.
B-500	500 lbs.	360 lbs.
B-700	700 lbs.	550 lbs.
B-800	800 lbs.	600 lbs.
B-900	900 lbs.	660 lbs.
B-1150	1150 lbs.	N/A
B-1300	1275 lbs.	N/A
B-1500	1490 lbs.	N/A
B-1650	1605 lbs.	N/A

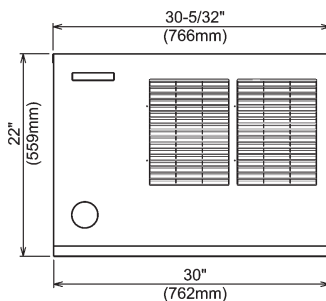
## ELECTRICAL & PLUMBING/KML-45IM\_H

- 115/60/1
- 20 Amp Max Fuse/HACR Breaker Size
- 1/2" OD copper or equivalent independent potable water supply
- 3/4" FPT independent drain connection

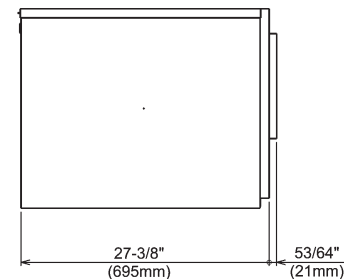


© HOSHIZAKI AMERICA, INC.

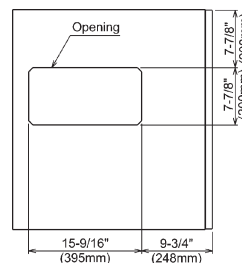
618 Hwy. 74 S., Peachtree City, GA 30269



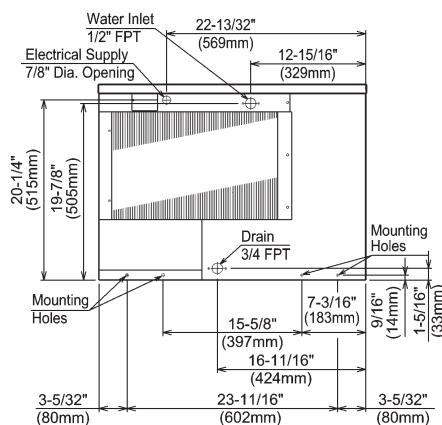
FRONT VIEW



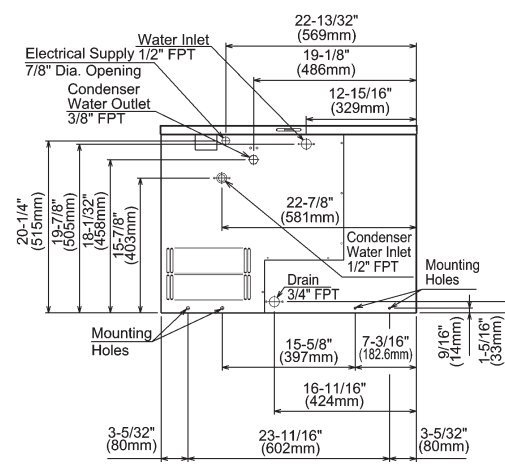
SIDE VIEW



ICE DROP ZONE



AIR-COOLED UNIT



WATER-COOLED UNIT

## OPERATING LIMITS

- Ambient Temp Range 45 - 100°F
- Water Temp Range 45 - 90°F
- Water Pressure 10 - 113psig
- Voltage Range 104 - 127V

## SERVICE

- Panels easily removed and all components accessible for service.
- Removable/cleanable air filters

TEL 1-800-438-6087

FAX 1-800-345-1325

www.hoshizaki.com

Printed in U.S.A.

