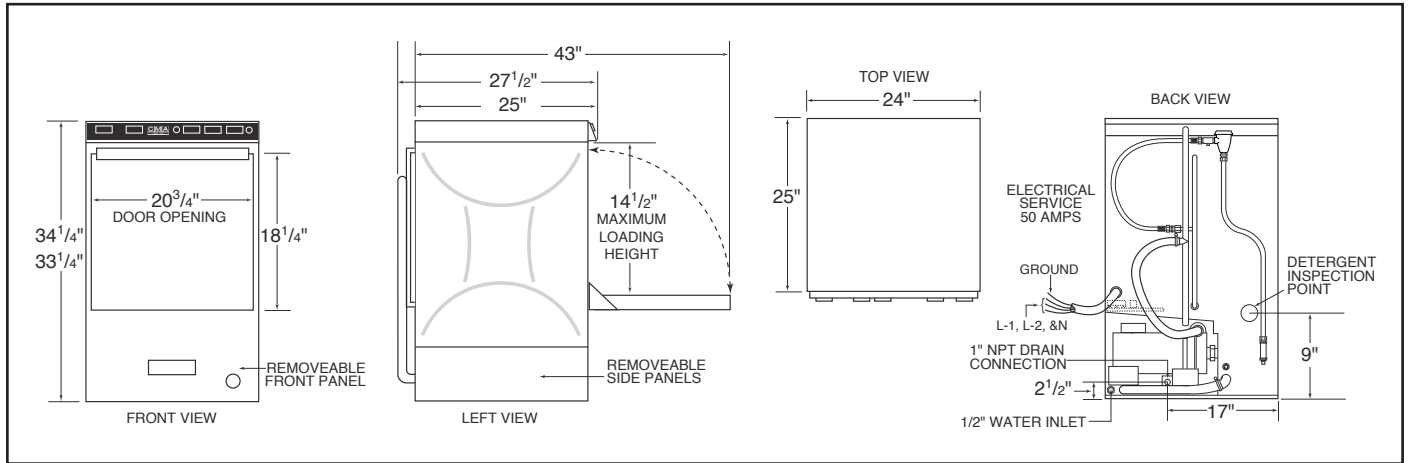




180UC

High Temperature Undercounter Dishwasher

WARNING: Plumbing connections must be made by a qualified service company who will comply with all available Federal, State, and Local Health, Plumbing and Safety codes.



Specifications:

| CMA-180UC | USA | (Metric) | CMA-180UC | USA | (Metric) |
|---------------------------|---------------|---------------|--|-------------------|-------------------|
| WATER CONSUMPTION | | | FRAME DIMENSIONS | | |
| PER RACK | .75 GAL. | (2.84 L) | DEPTH | 25" | (63.5 CM) |
| PER HOUR | 18 GAL. | (68.1 L) | WIDTH | 24" | (60.96 CM) |
| OPERATING CYCLE | | | HEIGHT | 33-1/4" | (84.45 CM) |
| WASH TIME-SEC | 94 | 94 | MAX CLEARANCE FOR DISHES | 14-1/2" | (36.8 CM) |
| RINSE TIME-SEC | 16 | 16 | WASH PUMP MOTOR | | |
| DWELL TIME-SEC | 10 | 10 | | 1 HP | 1 HP |
| TOTAL CYCLE TIME | 2 MIN. | 2 MIN. | ELECTRICAL RATING* | | |
| OPERATING CAPACITY | | | | 208 VOLTS | 230 VOLTS |
| RACKS PER HOUR | 30 | 30 | | 1 PH-60 Hz | 1 PH-60 Hz |
| WASH TANK CAPACITY | 2.5 GAL. | (9.46 L) | TOTAL AMPS | 33.0 AMPS | 35.0 AMPS |
| PUMP CAPACITY | 38 GPM | (144 LPM) | BOOSTER HEATER KW | 5.3 KW | 6.5 KW |
| WATER REQUIREMENTS | | | *MUST CONNECT TO 50 AMP SUPPLY CIRCUIT. | | |
| REQUIRED MINIMUM TEMP.* | 110°F | (43°C) | USE #8 AWG (MIN) 90°C STANDARD COPPER WIRE | | |
| RECOMMENDED TEMP.** | 140°F | (60°C) | THIS SYSTEM REQUIRES THREE POWER WIRES WHICH INCLUDES A CURRENT CARRYING NEUTRAL. AN ADDITIONAL FOURTH WIRE MUST BE PROVIDED FOR MACHINE GROUND. | | |
| WATER INLET | 1/2" | (1.27 CM) | SHIPPING WEIGHT | | |
| DRAIN CONNECTION | 1" | (2.54 CM) | APPROXIMATE | 234# | (106 KG) |
| RINSE PRESSURE SET | 20 ± 5PSI | 1.41 KG/CM² | *For machine having "Safe-T-Temp" | | |
| CYCLE TEMPERATURES | | | **For faster heat recovery | | |
| WASH-°F | 155° F-160° F | (68.3°C/71°C) | | | |
| RINSE-°F | 180° F-195° F | (82°C/90°C) | | | |

Summary Specifications: CMA-180UC

The CMA Energy Miser model CMA-180UC undercounter dishwasher provides hot water (180°F) sanitizing through the use of a built-in booster heater. 180°F final rinse safety system ensures proper temperatures in the final rinse by holding wash cycle in run mode until 180°F rinse temperature is detected. The unit comes standard with upper and lower stainless steel wash and final rinse arms, digital LED temperature gauges and easy to operate controls. The CMA-180UC incorporates an automatic soil purging system uniquely designed (patent pending) into the wash tank that enables the wash water to remain clean, assuring excellent results and less chemical use. The CMA-180UC is constructed entirely of stainless steel. Uses standard 20"X20" dishracks and accommodates oversized plates and utensils with a 15" door clearance.

