



Manual Tomato Slicer CT6

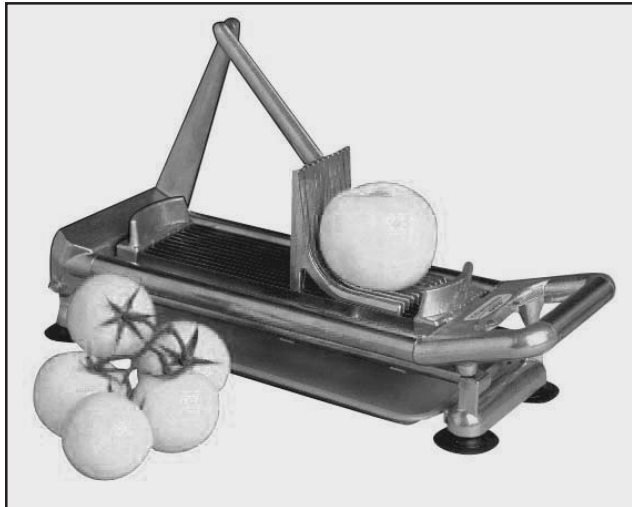
ITEM # _____

MODEL # _____

PROJECT NAME # _____

SIS # _____

AIA # _____



Manual Tomato Slicer CT6

601443 (CT6U) Tomato Slicer, 1/4" cutting blades,
11 slices per tomato

Short Form Specification

Item No. _____

Unit to be Electrolux Tomato Slicer. Thanks to its small tabletop design, it is easy to handle and to position. Slices tomatoes in one fluid motion. Easy to dismantle and clean. Wide selection of interchangeable blade assemblies.



Approval: _____

Main features

- Slice evenly and cleanly.
- Table stand with 4 suction pads
- Dishwasher safe.
- Easy dismantling without any tool
- Easy Cleaning
- Dimensions: (HxLxW): 9.4" x 16.8" x 5.7"
- Approx. shipping weight—9 lbs
- 2 year parts warranty, 1 year labor.

Optional Accessories

- Tipper support for tomato slicer (PNC 653282)
- Blade assembly for 3/16" tomato slicer (PNC 653104)
- Blade assembly for 1/4" tomato slicer (PNC 653100)
- Blade assembly for 3/8" tomato slicer (PNC 653107)
- Tomato guide for 3/16" slicer (PNC 653262)
- Tomato guide for 1/4" slicer (PNC 653099)
- Tomato guide for 3/8" slicer (PNC 653444)



Manual Tomato Slicer
CT6

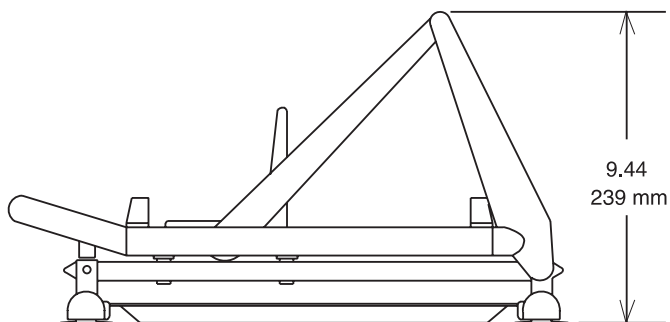
Electrolux Professional, Inc.

www.electroluxusa.com/professional

10200 David Taylor Drive, Charlotte, NC 28262 • Telephone Number: 866-449-4200 • Fax Number: 704-547-7401

Gator Chef

Front View



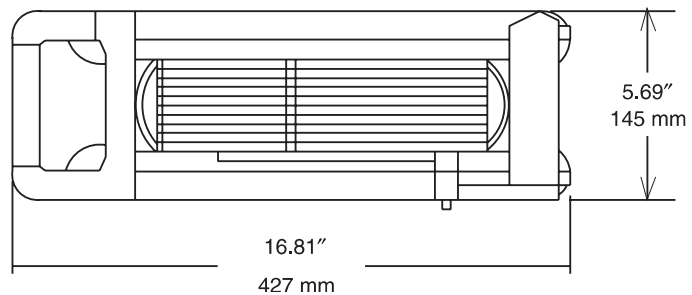
Electric

None

Key Information

None

Top View



Manual Tomato Slicer
CT6

The company reserves the right to make modifications to the products without prior notice. All information correct at time of printing.
12-16-10