

# ADVANTEDGE BASEMOUNT REACH-IN REFRIGERATORS



**NLR23-S**

**NLR49-S**

**NLR72-S**

PROJECT: .....

ITEM NUMBER: .....

MODEL NUMBER: .....

## SPECIFICATIONS FOR: NLR23-S, NLR49-S, NLR72-S

- **Exterior finish:** Exterior front sides and doors are stainless steel. The exterior top, bottom and back are galvanized steel.
- **Interior finish:** Interior liner and interior door panel are stainless steel
- **Insulation:** The complete cabinet and door(s) are foamed-in-place with polyurethane foam insulation.
- **Hardware:** Heavy duty, pivot hinges; key locks; curved handle with recessed pocket; self adjusting magnetic gaskets; 4" dia. casters (4 casters on one and two door models and 6 casters on three door model). 4 vinyl coated shelves per door section - standard.
- **Electrical:** An interior incandescent light is activated by a switch for each door.
- **Instrumentation:** Microprocessor with digital display allows temperature adjustment at control panel.
- **Refrigeration:** Complete bottom mounted refrigeration system with a copper tube, ceiling mount aluminum fin evaporator. The condensate is collected and automatically evaporated from an energy efficient air over wick style vaporizer. Drain line is recessed in cabinet back. Refrigerant flow is controlled by a capillary tube. R-134a refrigerant. Operating temperature: 38°F.
- **Approvals:**
  - UL listed
  - C-UL listed \*\*
  - ETL Sanitation

## STANDARD FEATURES

- Air-cooled condensing unit
- Automatic condensate vaporizer
- Automatic defrost
- Casters
- Capillary tube system
- Curved handle with recessed pocket
- Door open alarm
- Interior light
- Key locks
- Magnetic gasket

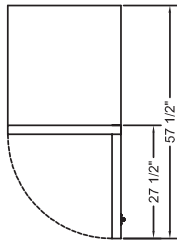
## OPTIONAL FEATURES

- Microprocessor with digital display
- Operating temperature: 38°F
- Polyurethane insulation
- R-134a refrigerant
- Stainless steel interior and exterior
- Vinyl coated shelves
- UL, C-UL & ETL Sanitation
- Warranties: 1 year parts labor/service  
5 year compressor
- Extra shelves
- Pan slide rack (part # 146515)

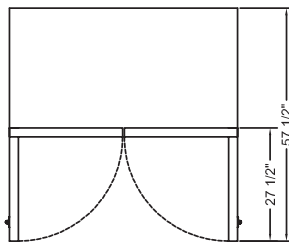


Nor-Lake, Inc.  
 Registered to ISO 9001:2008  
 File No. 10001816

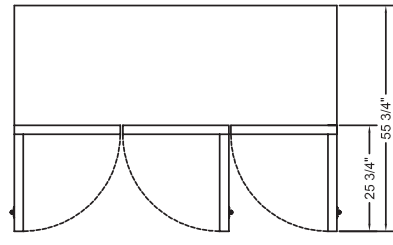
\*\* C-UL is Underwriters Laboratories Safety Certification Mark which indicates that UL has tested the equipment to applicable CSA Standards.



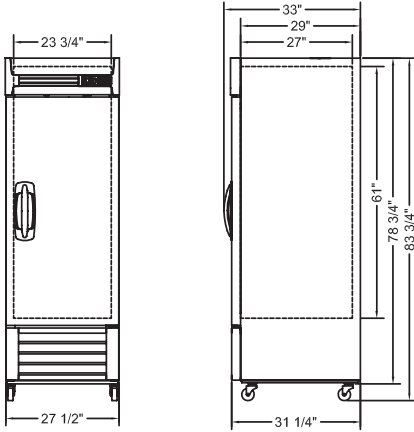
NLR23-S Top View



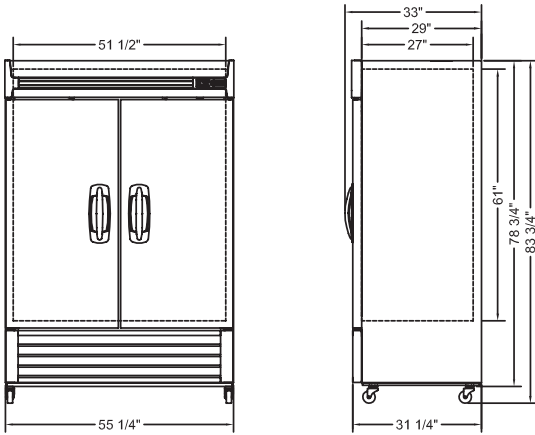
NLR49-S Top View



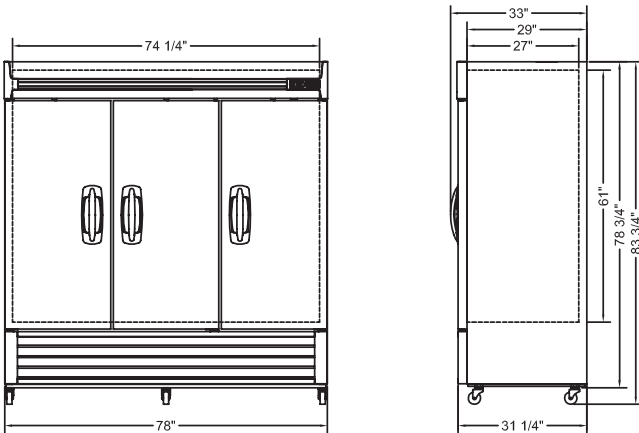
NLR72-S Top View



NLR23-S Front and Side Views



NLR49-S Front and Side Views



NLR72-S Front and Side Views

**SPECIFICATIONS**

	<i>NLR23-S</i>	<i>NLR49-S</i>	<i>NLR72-S</i>
<i>Crated Height</i>	84-1/4"	84-1/4"	84-1/4"
<i>Crated Width</i>	29-1/8"	56-3/4"	78-3/8"
<i>Crated Depth</i>	33-1/2"	33-1/2"	33-1/2"
<i>Crated Weight (lbs)</i>	290	482	632
<i>Interior Height (in)</i>	61"	61"	61"
<i>Interior Width (in)</i>	23-3/4"	51-1/2"	74-1/4"
<i>Interior Depth (in)</i>	27"	27"	27"
<i>Overall Height (in)</i>	83-3/4"	83-3/4"	83-3/4"
<i>Overall Width (in)</i>	27-1/2"	55-1/4"	78"
<i>Overall Depth (in)</i>	33"	33"	33"
<i>Gross Cubage (ft.<sup>3</sup>)</i>	23	49	70
<i>Number of Shelves</i>	4	8	12
<i>Number of Casters</i>	4	4	6
<i>Condensing Unit Size</i>	3/8 HP	3/8 HP	1/2 HP
<i>Refrigerant</i>	R-134a	R-134a	R-134a
<i>Electrical Characteristics</i>	115/60/1	115/60/1	115/60/1
<i>Cord &amp; Plug Furnished</i>	Yes	Yes	Yes
<i>NEMA Plug Configuration</i>	5-15P	5-15P	5-15P
<i>Total Amp Draw</i>	7.5	7.5	10

\* The overall heights shown in the table and drawings are with casters.

Specifications subject to change without notice.



Revision Date: 5/10  
 © 2010 NOR-LAKE, INC.  
 Printed in the U.S.A.  
 Part Number: 138688

