

HD30 – 30" Hotel Dispenser

iceValet® Hotel Dispenser



HD30 shown with a Prodigy C0330A cuber

Features

- Stores up to 180 lb. of cube ice.
- Simple push chute for easy ice dispensing.
- Modern, stylish design in a stainless steel cabinet.
- Removeable top panel allows access to the bin for easy cleaning without having to remove the ice machine.
- Improved sink depth that will accomodate almost every size hotel ice bucket.
- Equipped with an 11 ft. power cord.
- Match the iceValet dispenser with a Scotsman Prodigy® ice machine featuring self-monitoring technology, cost-saving energy efficiency, extended time between cleanings, easy-access servicing and built-in anti-microbial protection. All these features add up to the smartest choice in ice.

Storage Capacity

HD30

ARI Bin Capacity
lb/kg

180/81



Matching Ice Machine Options

Model Number	Cube Size	Condenser Type	24 hr Ice Production	
			70°F/21°C	90°F/32°C
			50°F/10°C lb/kg	Water 70°F/21°C lb/kg
C0330MA	Medium	Air	350/159	280/127
C0330MW	Medium	Water	400/182	280/127
C0330SA	Small	Air	350/159	280/127
C0330SW	Small	Water	400/182	280/127
C0530MA	Medium	Air	562/255	400/182
C0530MW	Medium	Water	595/270	480/218
C0530SA	Small	Air	562/255	400/182
C0530SW	Small	Water	595/270	480/218

Polyurethane Insulation

Foam insulation is forced between the wall and liner under heat and pressure to form a perfect wall to wall bond, preserving ice supply for long periods.

Easy Push Chute



Warranty

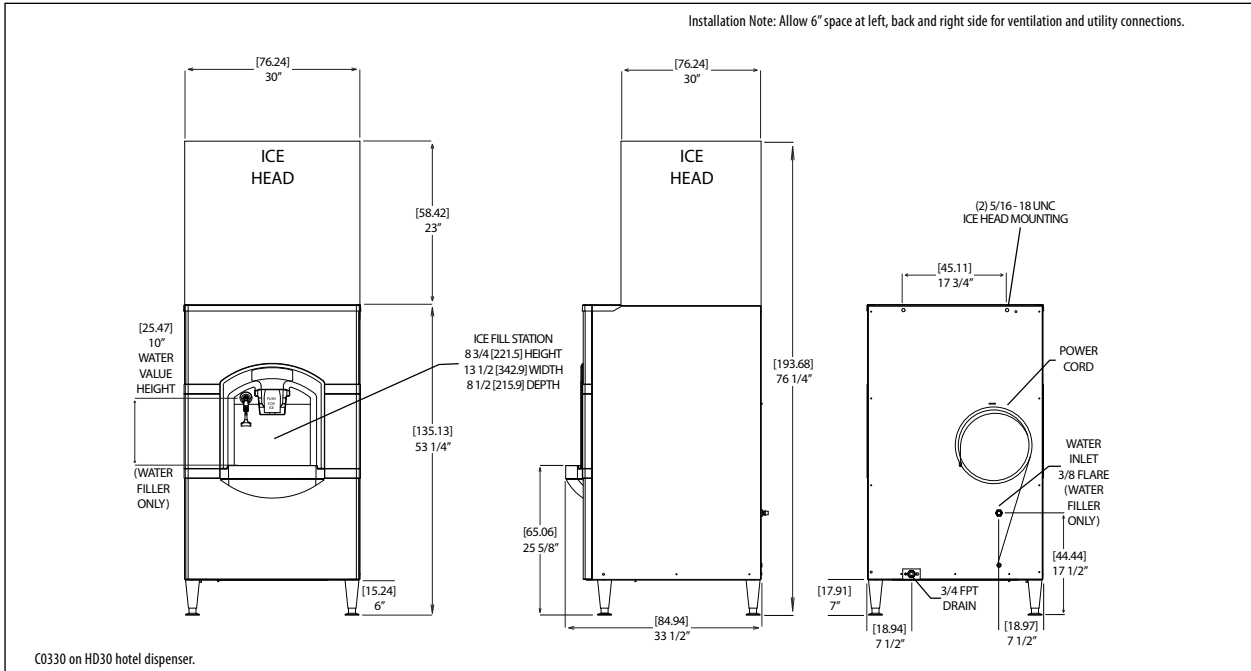
- 3 years parts and labor on all components.

Warranty valid in North, South & Central America. Contact factory for warranty in other regions.

Scotsman®

The smart choice in ice.™

HD30 – 30" Hotel Dispenser



C0330 on HD30 hotel dispenser.

Specifications

Model Number	Actuation	ARI Bin Capacity lb/kg	Electrical	Circuit Wires	Min. Circuit Ampacity	Max Fuse Size of HACR Circuit Breaker (amps)
HD30B-1H	Push	180/81	115/60/1	2	2.1	15
HD30W-1H*	Push	180/81	115/60/1	2	2.1	15
HD30N-1H	Coin or Token	180/81	115/60/1	2	2.1	15

* Unit comes with a water spout next to the ice chute.

All Models

Dimensions (W x D x H):
 Unit:
 30" x 33.5" x 47.25"
 (76.2 x 85.1 x 120.0 cm)

Shipping Carton:
 33" x 37" x 53"
 (83.8 x 94 x 134.6 cm)

Shipping Weight:
 225 lb / 102 kg

Accessories

Model Number	Description
KTOKEN	500 Tokens for HD30N, 0.984" (2.5 cm) diameter

* Scotsman recommends all ice machines have water filtration. See Scotsman Sanitation Matrix for details.

Operating Requirements

	Minimum	Maximum
Air Temperatures	50°F (10°C)	100°F (38°C)
Water Temperatures	40°F (4.4°C)	100°F (38°C)
Remote Cond. Temps	-20°F (-29°C)	120°F (49°C)
Water Pressures	20 PSIG (1.4 bar)	80 PSIG (5.5 bar)
Electrical Voltage	-10%	+10%

Specifications and design are subject to change without notice.

Scotsman Ice Systems
 775 Corporate Woods Parkway
 Vernon Hills, IL 60061

1-800-SCOTSMAN
 Fax: 847-913-9844
 E-mail: customer.service@scotsman-ice.com

www.scotsman-ice.com