

**Exceptional Quality 2 Years Parts and Labor Warranty**



\* Drawer Pans Not Included

## ≡ FEATURES / BENEFITS ≡

- **EFFICIENT REFRIGERATION SYSTEM**  
Turbo Air's solid door refrigerators are designed with oversized and balanced (CFC Free R-134A) refrigeration systems. These include efficient evaporators and condensers for faster cooling and greater efficiency.
- **STRONG BODY AND DURABLE CONSTRUCTION**  
Built with heavy duty, 304 stainless steel (16 gauges) Chef Base top is manufactured of one-piece reinforced stainless steel to ensure durability.
- **HIGH-DENSITY POLYURETHANE INSULATION**  
Entire cabinet structure and solid doors are formed-in-place using high density, CFC free polyurethane insulation.
- **DURABLE STAINLESS STEEL DRAWERS**  
Drawers are easy to clean and assemble.
- **SIDE MOUNT COMPRESSOR UNIT**  
Through positioning the compressor to the side, the refrigerator can be serviced without being moved. By innovatively creating a **front breathing feature**, this model can provide high efficiency in narrow spaces.
- **REFRIGERATOR HOLDS 33°F ~ 38°F FOR THE BEST IN FOOD PRESERVATION**

**\* Top is Insulated to Eliminate Heat Transfer to The Interior of Cabinet**

| Model      | Drawers | CU./FT. | HP  | AMPS | Crated Weight | L D H                |
|------------|---------|---------|-----|------|---------------|----------------------|
| TCBE-52SDR | 2       | 11      | 1/3 | 5.1  | 307           | 52 1/2 x 32 x 20 1/2 |
| TCBE-82SDR | 4       | 19      | 1/3 | 6.2  | 469           | 83 5/8 x 32 x 20 1/2 |
| TCBE-96SDR | 4       | 23      | 1/3 | 6.3  | 517           | 96 3/8 x 32 x 20 1/2 |

\* Height does not include 6" for caster height.



# TCBE MODELS SPECIFICATIONS

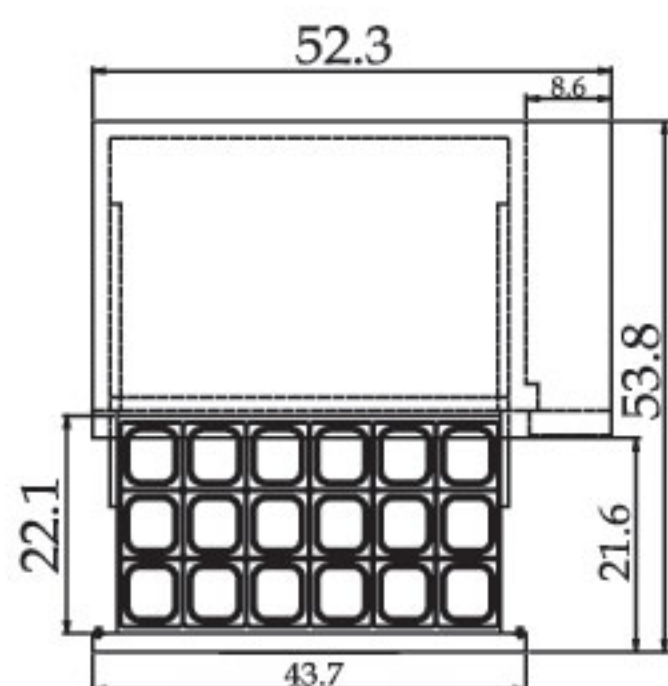
| MODEL                      | TCBE-52SDR       | TCBE-82SDR       | TCBE-96SDR       |
|----------------------------|------------------|------------------|------------------|
| Exterior Dimension (LxDxH) | 52 1/2x32x20 1/2 | 83 5/8x32x20 1/2 | 96 3/8x32x20 1/2 |
| Cubic Feet                 | 11               | 19               | 23               |
| Compressor (HP)            | 1/3              | 1/3              | 1/3              |
| Drawers                    | 2 ea             | 4 ea             | 4 ea             |
| Net Weight                 | 241 lbs          | 412 lbs          | 484 lbs          |
| Voltage (i) NEMA-5-15P     | (i)115/60/1      | (i)115/60/1      | (i)115/60/1      |
| Cord Length (ft.)          | 9                | 9                | 9                |
| Plug-In                    | NEMA 5-15P       | NEMA 5-15P       | NEMA 5-15P       |
| # of Pans                  | 36 ea            | 60 ea            | 72 ea            |

\*Design and specifications subject to change without notice.

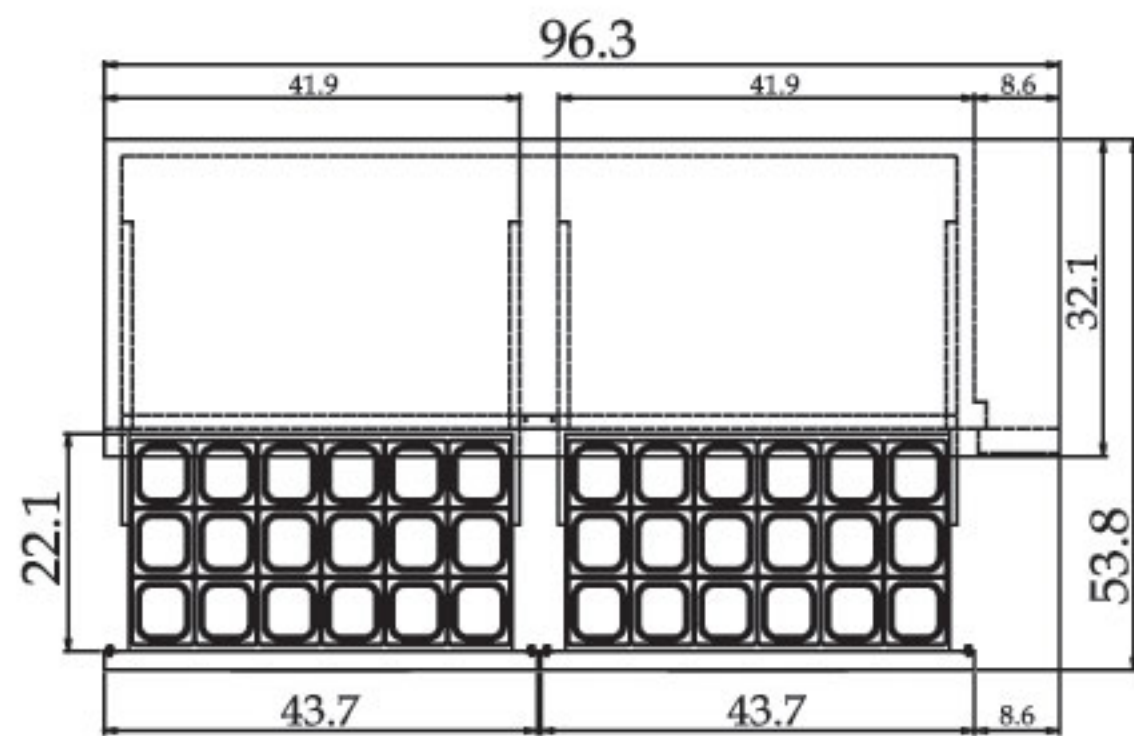
- **DRAWERS**  
Small drawer holds up to 154 pounds.  
Large drawer holds up to 242 pounds.
- **COUNTERTOPS**  
TCBE-52SDR supports up to 788 pounds of equipment. TCBE-82SDR & TBCE-96SDR support up to 1,192 pounds of equipment.
- **SELF-CONTAINED SYSTEM**
- **5" SWIVEL CASTERS**
- **LEGS AVAILABLE FOR ALL MODELS (OPTIONAL)**
- **REMOTE CABINETS AND CONDENSING UNITS AVAILABLE FOR ALL MODELS.**

- **WARRANTY : 2 Years Labor and Parts Warranty**  
**Additional 3 Years Warranty on Compressor**

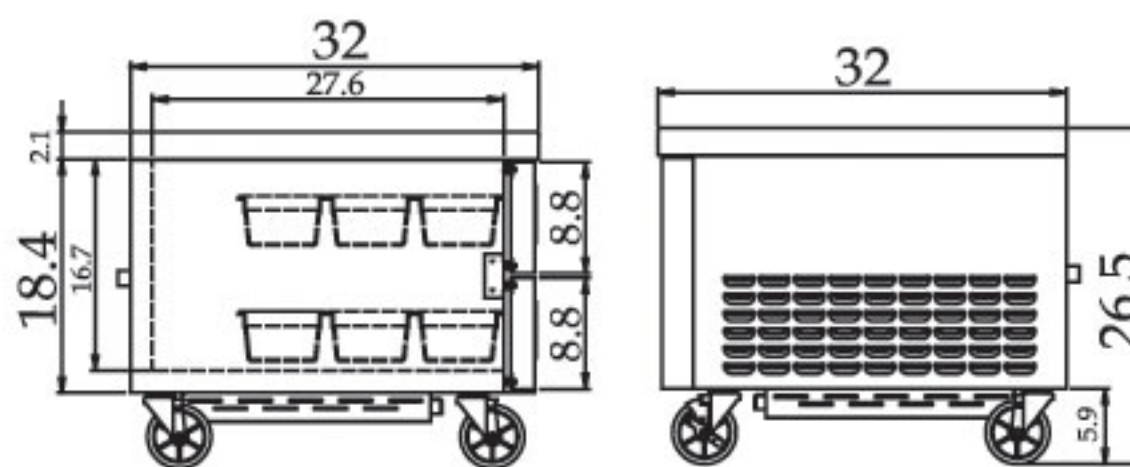
(unit : inch)



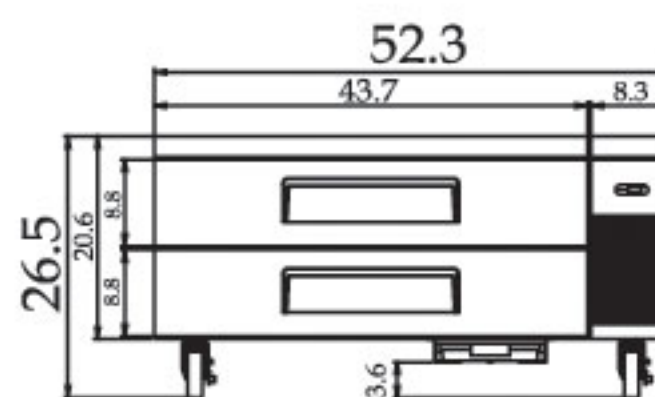
**TCBE-52SDR PLAN VIEW**



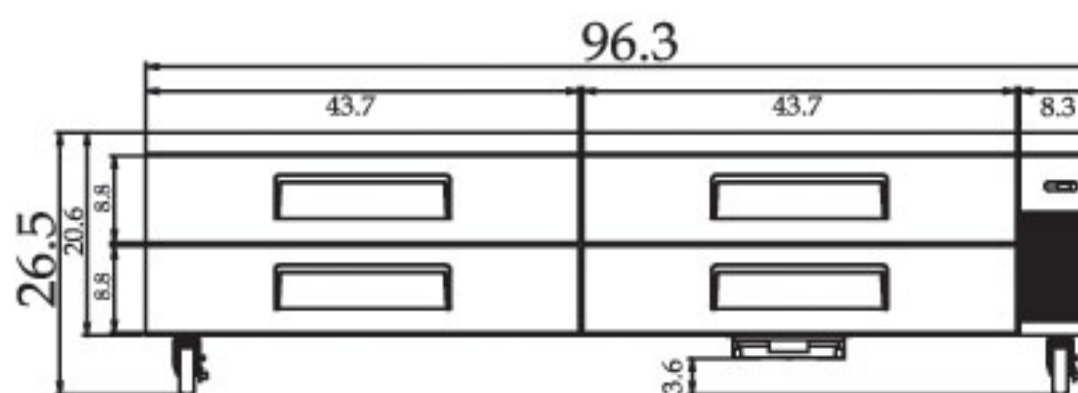
**TCBE-96SDR PLAN VIEW**



**SIDE VIEW**



**TCBE-52SDR FRONT VIEW**



**TCBE-96SDR FRONT VIEW**