



UC50e

High Temp Undercounter
Dishwasher And
Glasswasher



FEATURES:

- 30 racks / 120 covers per hour.
- Double skin stainless steel provides consistent heating and a quiet operation.
- Operator friendly, removable stainless steel wash and rinse arms allows for easy cleaning.
- Fully automatic cycle for easy operation.
- Stainless steel safety filters protect washing pump.
- Door and water level safety switches, plus booster safety thermostat.
- Stainless steel molded rack supports, polished stainless steel surface and tanks with rounded corners for a total and easy cleaning.
- Built-in detergent and rinse chemical pumps.
- Triple filtering protection system, captures excess soil and debris.
- Pump drain allows for multiple installation applications including elevated drains.



Upper and lower wash and rinse arms guarantee excellent results.



Large 13-3/4" door clearance accommodates oversized plates, glasses and utensils.



Uses standard 19-3/4" X 19-3/4" racks. Large 13-3/4" glass clearance.



Top mounted controls are easy to read and simple to operate.

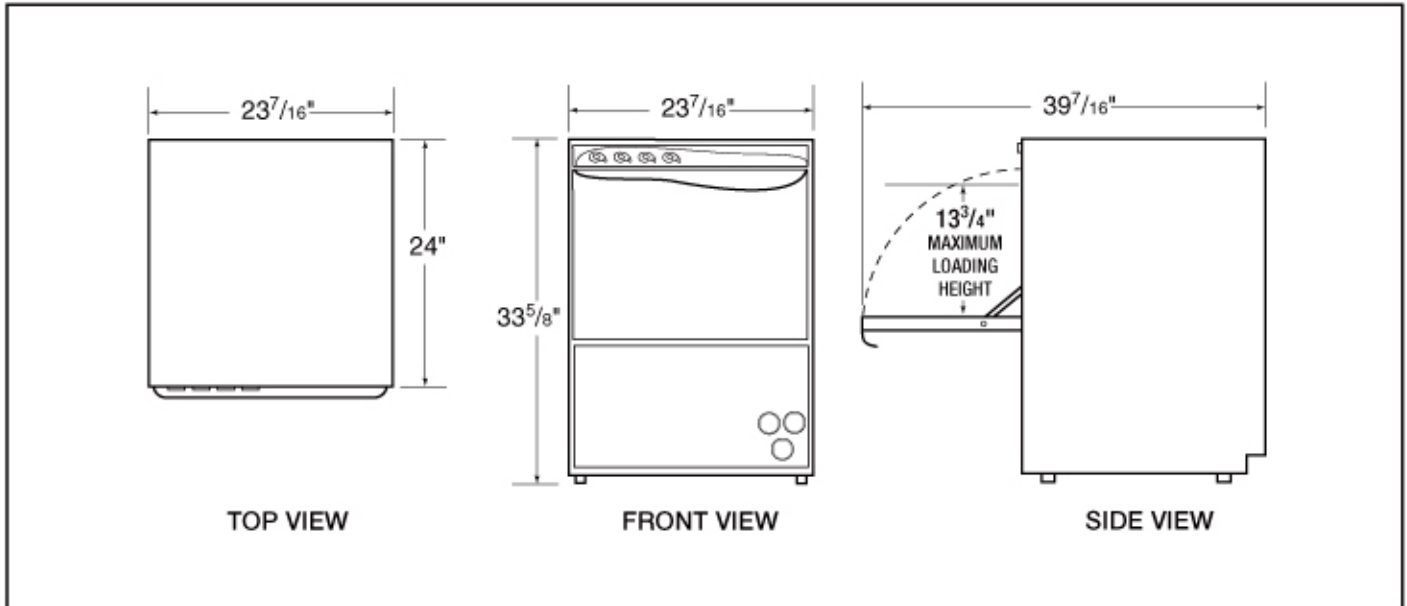




UC50e

High Temp Undercounter Dishwasher And Glasswasher

WARNING: Plumbing connections must be made by a qualified service company who will comply with all available Federal, State, and Local Health, Plumbing and Safety codes.



Specifications:

MODEL UC50	USA	METRIC	USA	METRIC
WATER CONSUMPTION				
PER RACK	.8 GAL	(3L)		
PER HOUR	24/16 GAL	(90/60L)		
OPERATING CYCLE				
WASH TIME-SEC	100/160	100/160		
RINSE TIME-SEC	15/15	15/15		
DWELL	5/5	5/5		
TOTAL CYCLE	120/180	120/180		
OPERATING CAPACITY				
RACKS PER HOUR	30/20	30/20		
WASH TANK CAPCITY	6.87 GAL	(26L)		
WATER REQUIRMENTS				
WATER INLET	140°F	(60°C)		
DRAIN CONNECTION	3/4"	(1.9cm)		
RINSE PRESSURE SET	1"	(2.54cm)		
	24 PSI	1.7kg/cm ²		
CYCLE TEMPERATURES				
WASH-°F	155°F-160°F	(68°C/71°C)		
RINSE-°F	180°F-195°F	(82°C/90°C)		
WASH PUMP MOTORS HP	1	1		
DIMENSIONS				
DEPTH	24"	(61 CM)		
WIDTH	23-7/16"	(59.5 CM)		
HEIGHT	33-5/16"	(84.5 CM)		
MAXIMUM CLEARANCE				
HEIGHT FOR DISHES	13-3/4"	(35 CM)		
STANDARD DISHRACK	1	1		
DIMENSIONS	19-3/4"X19-3/4"	(50X50CM)		
ELECTRICAL RATING	VOLTS	PHASE	AMPS	
	220-240, 60Hz	1	30	

Summary Specifications:

The UC50e dishwasher and glasswasher is a front loading machine designed to produce sparkling clean glasses and dishes. Constructed of double walled stainless steel skin providing constant heating and a quiet operation. Standard features include upper and lower wash/rinse arms and wash and rinse tank heater.

KROMO BRANDS

Distributed exclusively by CMA Dishmachines

