



Job Name \_\_\_\_\_

Item # \_\_\_\_\_

# FOOD SERVICE EQUIPMENT

Spec Sheet No. TR-16

## Wetbath Table

- WB-2G-NAT
- WB-3G-NAT
- WB-4G-NAT
- WB-5G-NAT
  
- WB-2G-LP
- WB-3G-LP
- WB-4G-LP
- WB-5G-LP



WB-4G-NAT Shown.

**Accessories:**

- Double or Single Overshelf - Models **TOS-(2-5)** & **STOS-(2-5)**
- Buffet Shelf - Model **TBS-(2-5)**
- Serving Shelf - Model **TSS-(2-5)**
- Solid tray Shelf - Models **TTS-(2-5)**
- Tubular Tray Rail - Models **TTR-(2-5)**
- Stainless End Shelf - Model **BES-2**

## Specifications

**TOP:** 20 gauge #302 stainless steel with die stamped pan openings. (11.875" x 20.062")

**BODY:** 22 gauge #430 stainless steel.

**LEGS:** 18 gauge #302 stainless steel with fully adjustable non marking tip.

**UNDERSHELF:** 22 gauge #430 stainless steel.

**CUTTING BOARD:** 1" thick white thermoplastic.

**CUTTING BOARD BRACKETS:** 16 gauge #302 stainless steel.

**LINING:** 8" deep 20 gauge #302 stainless steel welded.

**PLATE SHELF:** 18 gauge #302 stainless steel.

## Features

4-5 compartment 25,000 BTU'S

2-3 compartments 15,000 BTU'S

Stainless steel undershelf is standard

Control knob with high, medium, and low settings

Pilot indicator openings

Stainless steel dish shelf

Safety pilot (optional)

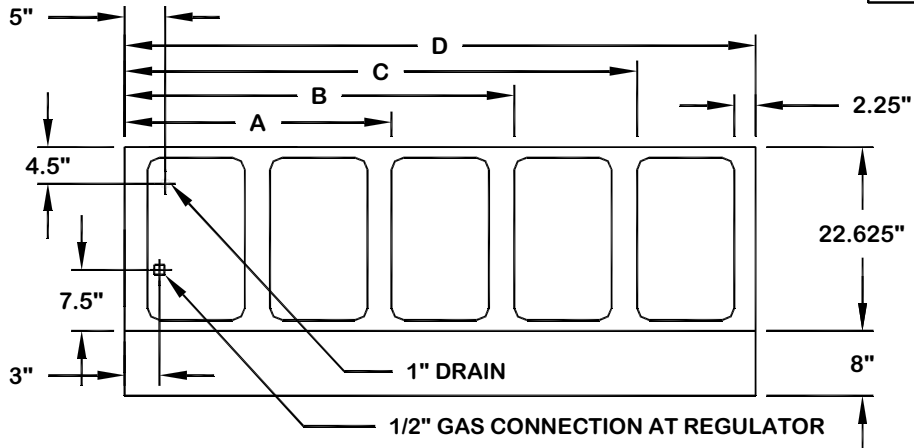
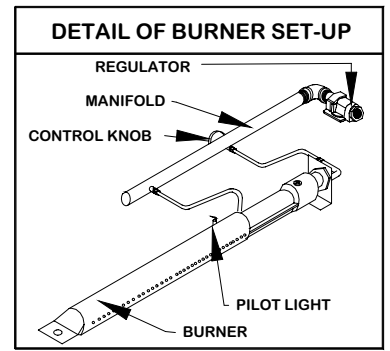


**Freight Class 85**

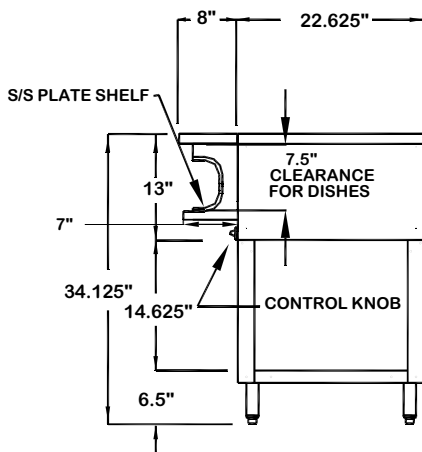


3125 Trotters Parkway  
Alpharetta, GA 30004  
www.suprememetal.com

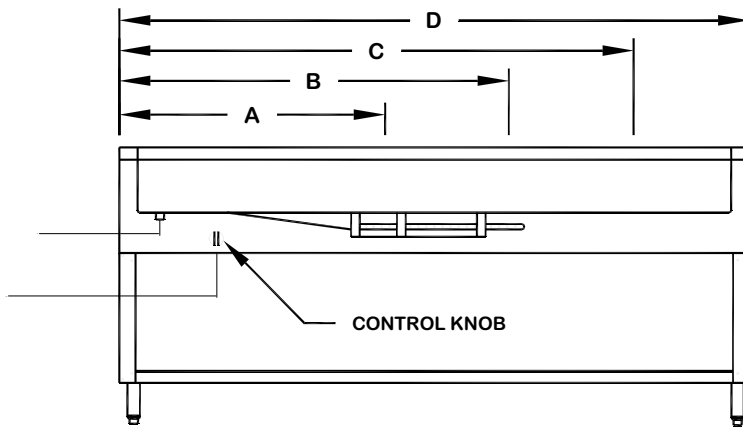
Toll Free: 800-645-2526  
770-740-6000  
Fax: 770-740-6010



4" W.C. FOR NAT. GAS/ 10" W.C. FOR L.P. GAS



SECTIONAL VIEW



ELEVATION VIEW

Model #	Length	# of Pan Openings	Weight	Cubic Feet	Cut/Dish Shelf Brackets
WB-2G-NAT/LP	A = 31 <sup>13</sup> / <sub>16</sub> "	2	95	28.1	2
WB-3G-NAT/LP	B = 47 <sup>1</sup> / <sub>8</sub> "	3	124	41.32	3
WB-4G-NAT/LP	C = 62 <sup>7</sup> / <sub>16</sub> "	4	157	54.55	4
WB-5G-NAT/LP	D = 77 <sup>3</sup> / <sub>4</sub> "	5	176	66.94	4